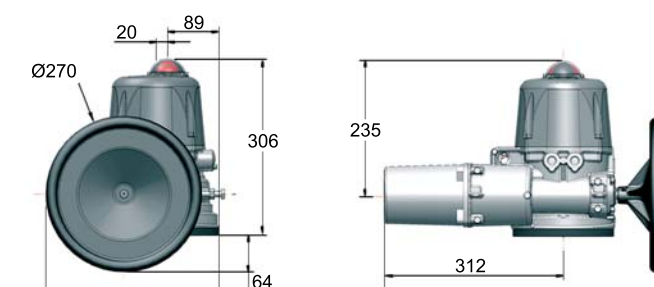
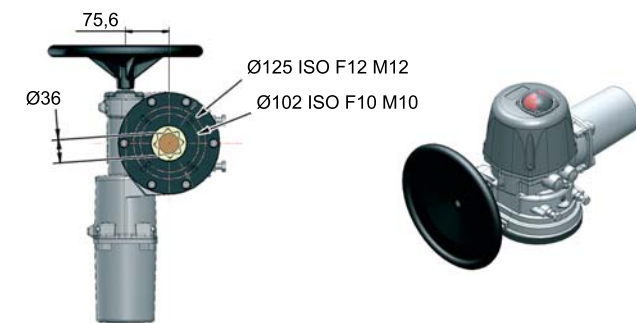
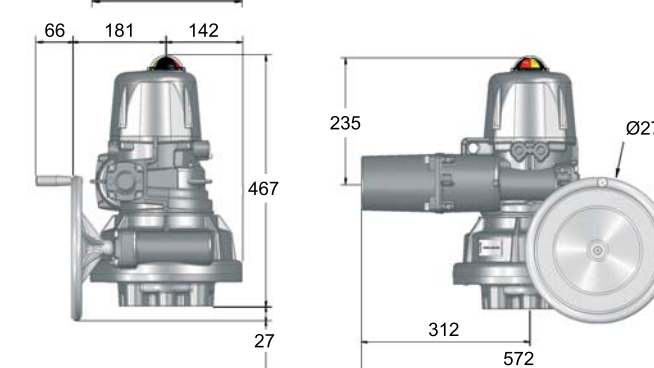
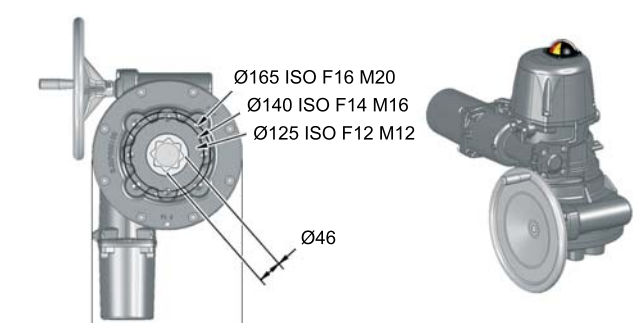




VT600 • VT1000



VT1500 • VT2400

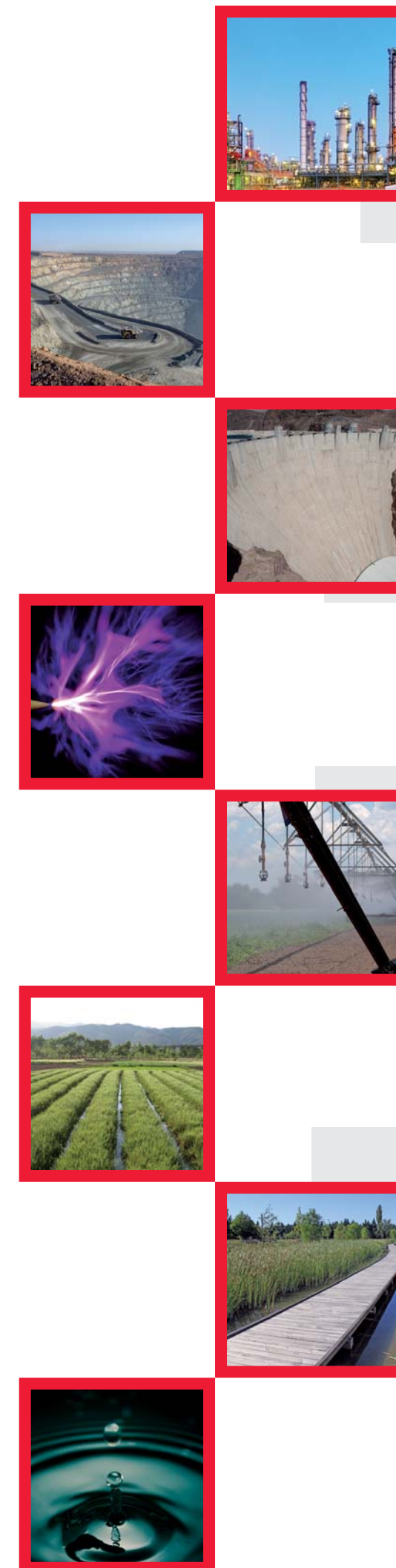
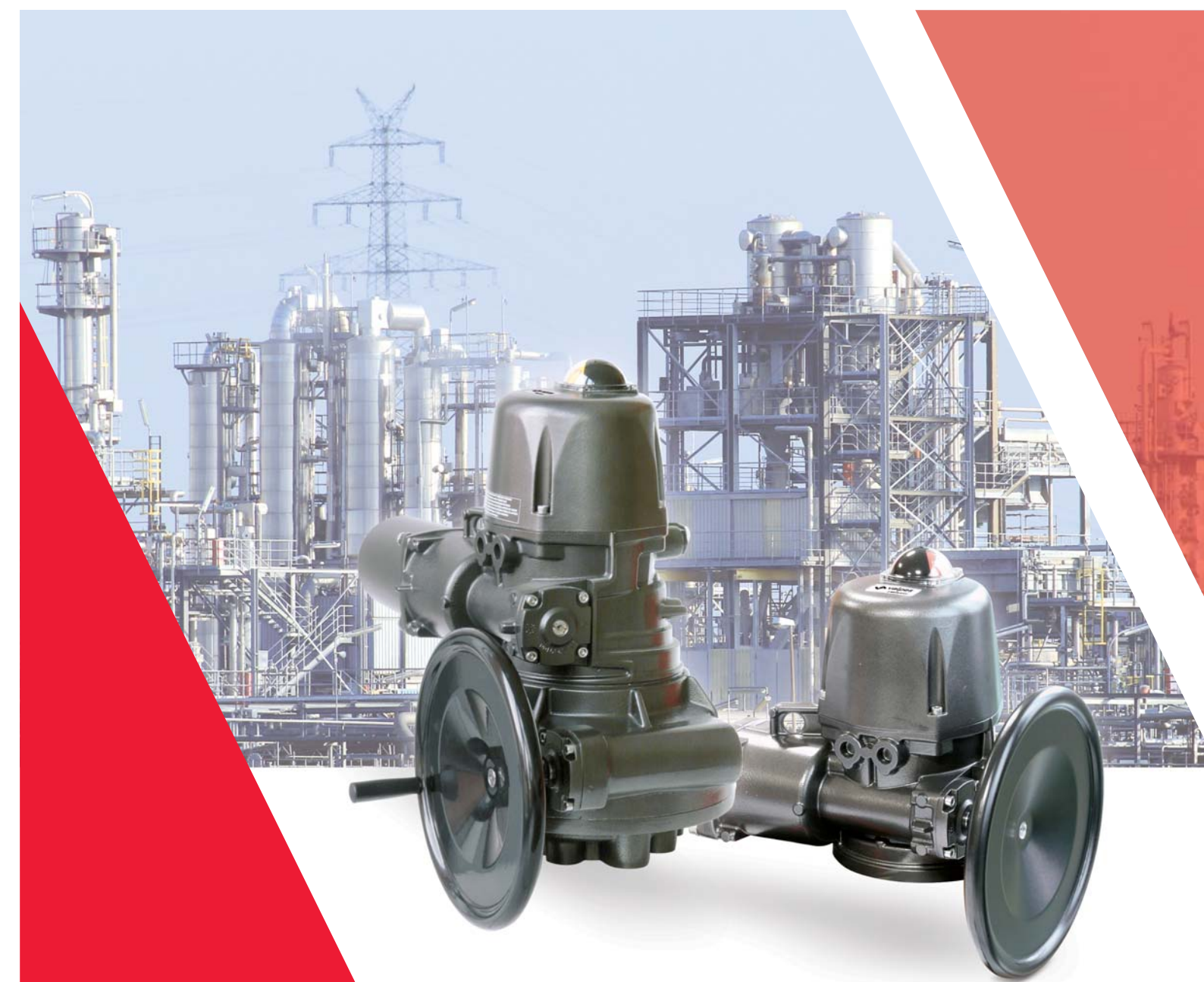


Please refer to our technical literature for any further information.
Valpes reserves the right to change or remove products or services from its range at any time and without prior notification or obligation. Valpes disclaims all responsibilities for consequences resulting from the use of this document. There is no guarantee that the information provided here is complete, accurate or up to date.



VT

Quarter-turn electric actuator



Industry

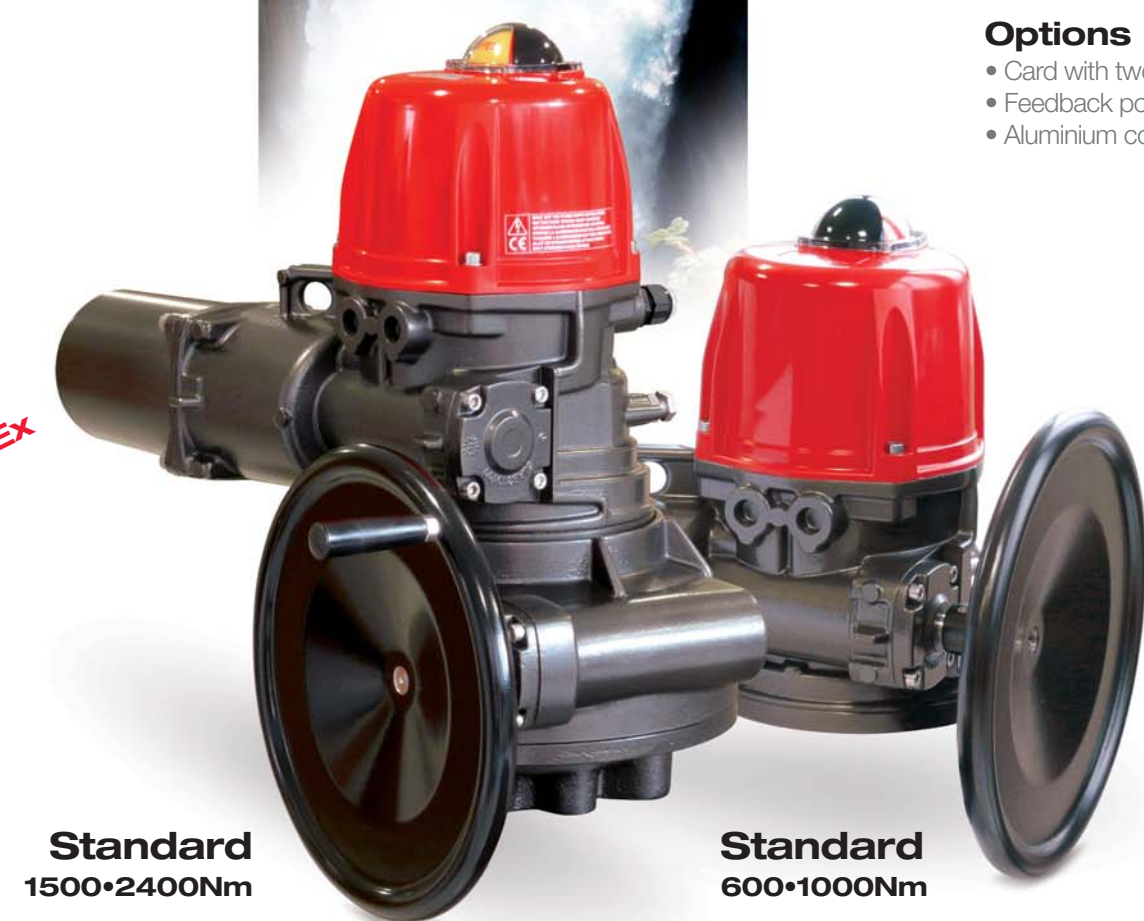
Energy

Irrigation

Water treatment



TORQUES FROM 600 to 2400Nm
240V 50/60Hz AND 50Hz 3-PHASE 400V
DUTY CYCLE S4-50%
MECHANICAL TORQUE LIMITER
ISO 5211 STANDARD CONNECTION PLATE
 F10-F12 Star 36mm | F12-F14-F16 Star 46mm • Stainless steel conversion sleeves
IP68 | -20°C to +70°C
FAILURE MODE
 Actuator status
MECHANICAL STOPS
 Adjustable ± 5%
MANUAL OVERRIDE
 Hand wheel
ANTICONDENSATION HEATER
 Self-regulated 10W
MARINE COATING
 15-year warranty high durability painting for aggressive environment
CE • RoHS • REACH • ATEX • IECEx • EACEx
WARRANTY
 3-year warranty or 50 000 actuations



Standard
1500•2400Nm

Standard
600•1000Nm



ATEX
600•1000Nm



Marine
600•2400Nm

TECHNOLOGY AND CONTROL...

...FOR INDUSTRIAL APPLICATIONS

Resistant enclosure with IP68 protection
 Aluminium housing and polyamide PA6 UL 94 V-0 cover (aluminium cover in option)

ISO 5211 connection plate
 • VT600-1000 = F10/F12 star 36mm • VT1500-2400 = F12/F14/F16 star 46mm
 • Stainless steel conversion sleeves (star - square - DD)

Various possible rotation angles
 • 4 electrical limit switches including 2 auxiliaries for the feedback information
 • Adjustable (±5°) mechanical stops as standard for 90° (180° or 270° without mechanical stop)

Torque limiter and failure report
 When the actuator is submitted to over torque, it goes into failure mode thanks to its mechanical torque limiter. It is possible to be informed of this after wiring a dedicated terminal during the installation. Safety, easy servicing and trouble free using.

Options

- Card with two extra limit switches (EFC.2)
- Feedback potentiometer (EPR.B)
- Aluminium cover with epoxy coating (500 hours / salt spray)
- 1 or 2 3P+T M12 connectors (ECM.1 or ECM.2)
- 0-10V, 0-20mA or 4-20mA transmitter (EPT.C)

VT600

Maximum torque **600Nm**
 90° operating time **38s**
 Star drive nut **36mm** depth 40mm
 ISO 5211 connection **F10 | F12** depth 20mm | 24mm
 Number of limit switches **4**
 Rotation angle **90°**
 Duty cycle **50%**
 Number of starts / hour **50**
 Temperature **-20°C to +70°C**
 IP enclosure **IP68**
 Weight **22kg**

VT1000

Maximum torque **1000Nm**
 90° operating time **38s**
 Star drive nut **36mm** depth 40mm
 ISO 5211 connection **F10 | F12** depth 20mm | 24mm
 Number of limit switches **4**
 Rotation angle **90°**
 Duty cycle **50%**
 Number of starts / hour **50**
 Temperature **-20°C to +70°C**
 IP enclosure **IP68**
 Weight **22kg**

VT1500

Maximum torque **1500Nm**
 90° operating time **113s**
 Star drive nut **46mm** depth 50mm
 ISO 5211 connection **F12 | F14 | F16** depth 20mm | 25mm | 30mm
 Number of limit switches **4**
 Rotation angle **90°**
 Duty cycle **50%**
 Number of starts / hour **15**
 Temperature **-20°C to +70°C**
 IP enclosure **IP68**
 Weight **54kg**

VT2400

Maximum torque **2400Nm**
 90° operating time **113s**
 Star drive nut **46mm** depth 50mm
 ISO 5211 connection **F12 | F14 | F16** depth 20mm | 25mm | 30mm
 Number of limit switches **4**
 Rotation angle **90°**
 Duty cycle **50%**
 Number of starts / hour **15**
 Temperature **-20°C to +70°C**
 IP enclosure **IP68**
 Weight **54kg**

- ✓ **EMC electromagnetic compatibility**
2014/30/UE | EN61000-6-2 (2006) | EN61000-6-4 (2007)
- ✓ **Machinery directive**
2006/42/CE | component for incorporating
- ✓ **Explosives atmospheres approval (VTX600Nm & VTX1000Nm)**
94/9/CE directive - II 2 G D - Ex d IIB T5 Gb - Ex tb IIIC T90°C Db - LCIE 15 ATEX 3012 X - IECEx LCIE 15.0074X
- ✓ **Low voltage directive**
2006/95/CE | EN61010-1 (2001)
- ✓ **Certified for marine applications**
High Durability painting, compliant with the NF EN ISO 12 944-1 standard and 15-year warranty
- ✓ **IP68 housing tested**
CEI60529 (2000) | NF EN 60529 (2001)

