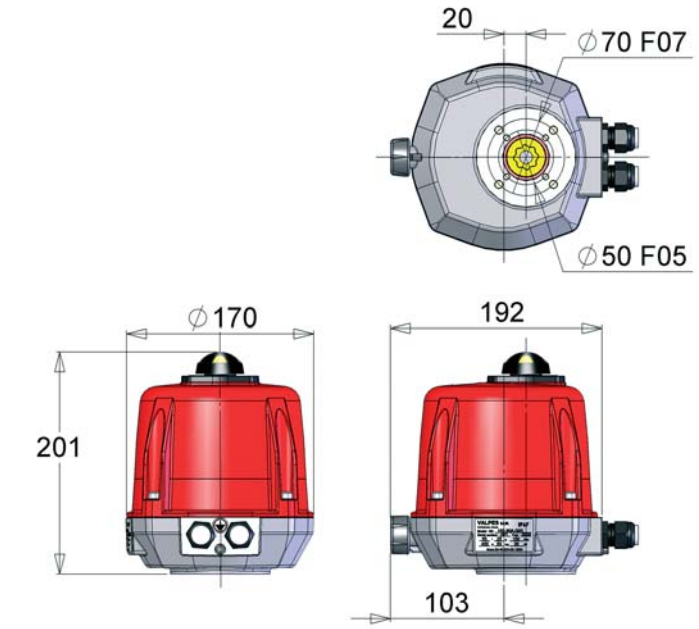
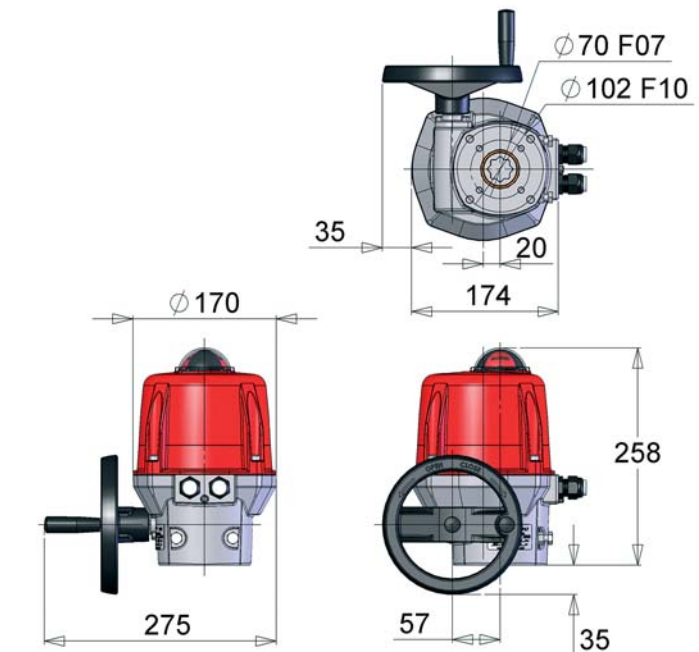




VR25 • VR45 • VR75



VS100 • VS150 • VS300



Please refer to our technical literature for any further information.
 Valpes reserves the right to change or remove products or services from its range at any time and without prior notification or obligation. Valpes disclaims all responsibilities for consequences resulting from the use of this document. There is no guarantee that the information provided here is complete, accurate or up to date.



VR•VS

Quarter-turn electric actuator



Industry

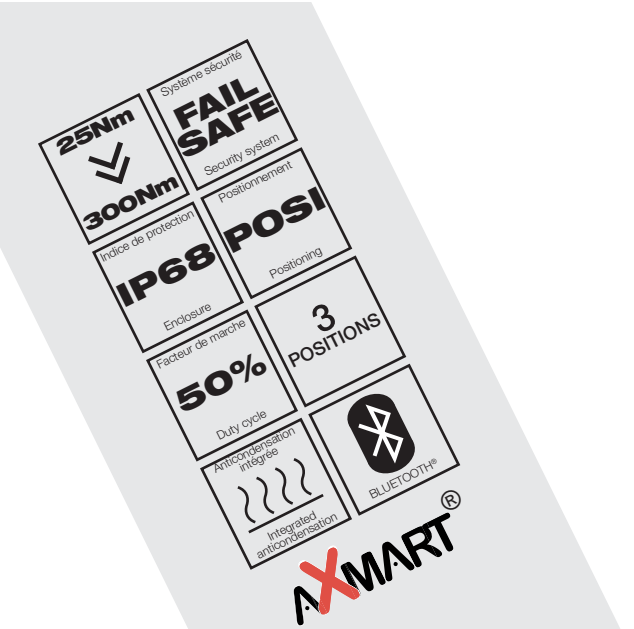
Energy

Irrigation

Water treatment

DESIGNED AND BUILT...

...FOR DIFFICULT APPLICATIONS



COMPACT DESIGN
PA6 UL 94 V-0 non-flammable polyamide or aluminium + epoxy housing

TORQUES FROM 25 TO 300Nm

MULTIVOLTAGES
100V-240V 50/60Hz and 100V-350V DC | 15V-30V 50/60Hz and 12V-48V DC | 50/60Hz 3-phase 400V

NUMEROUS CONTROL MODES
Modulating 3-point control | On/Off | Pulse control | Bluetooth®

DUTY CYCLE S4-50%

ELECTRONICAL TORQUE LIMITER

ISO 5211 STANDARD CONNECTION PLATE
F05-F07 | F07-F10 • Star 17mm and 22mm • Stainless steel conversion sleeves

IP68 | -20°C TO +70°C

RS485 TERMINAL

FAILURE MODE
Actuator status

MANUAL OVERRIDE
External shaft (VR) | hand wheel (VS)

FAILSAFE
Security battery unit

POSITIONING
4-20mA | 0-10V

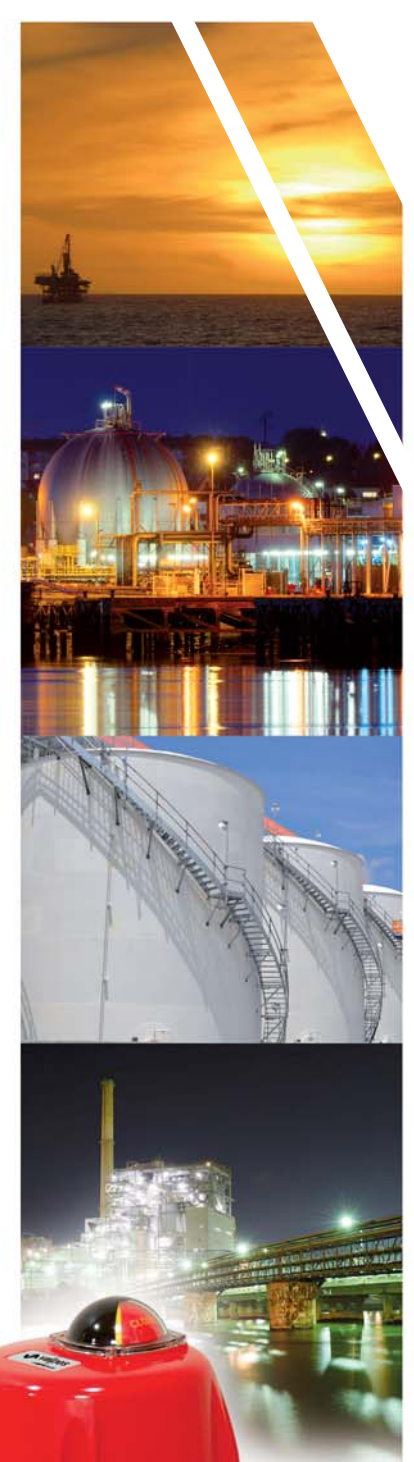
3 POSITIONS

POWERED BY AXMART®
Bluetooth® communication.
Local control, setup and weekly scheduling

ANTICONDENSATION HEATER
Self-regulated 10W

CE • RoHS • REACH • ATEX • CSA • EAC Ex

WARRANTY
3-year warranty of 50 000 actuations



Standard • CSA

Light, compact and resistant, IP68, UL 94 V-0 flammability class housing
Modular position indicator depending on type of valve to be actuated (VR) or spherical indicator (VS)

ISO 5211 connection plate
• VR = F05/F07 star 17mm • VS = F07/F10 star 22mm
• Stainless steel conversion sleeves (star - square - DD)

Various possible rotation angles
• 4 electrical limit switches including 2 auxiliaries for the feedback information
• Mechanical stops as standard for 90° (180° or 270° without mechanical stop)

Options
• Card with two extra limit switches (EFC.2) • 1 or 2 3P+T M12 connectors (ECM.1 or ECM.2) • ISO M20 / 1/2 NPT adapters (NPT.1)
• Feedback potentiometer (EPR.B) • 0-10V, 0-20mA or 4-20mA transmitter (EPT.C)

POSITIONING version
Actuator with advanced and easily positioning solution, allowing the control of a valve with a signal: 0-10V or 4-20mA. For applications like dosing, modulating, flow control, filling up (increases the accuracy in the last stage), mixing...
• Self-configurable
• Reversible signal (example: 20-4mA)
• Training mode
• Failure report

FAILSAFE Version
Actuator with integrated FAILSAFE security unit ensuring return to initial position in case of power failure
• 24/7 battery charge indicator with reporting relay
• Power shut off after 3 min to avoid battery discharging
• 2 initial position settings: "normally open" or "normally closed"

BLUETOOTH® Version **AXMART®**
The Valpes Bluetooth® communication module offers a secured connection with the actuators. It enables the communication with any actuator, whether visible or not and even when concealed (actuators located under floor, in a pit, above ceiling, at height). In all situations, this interface is perfect as a local control device.
• Installation control actuator status in real time
• Installation servicing, functioning tests and validation with a smartphone or a tablet and the AXMART® application
• Weekly scheduler (up to 20 repeatable tasks per week)
• Simple and cost effective! Neither programmable logic controller (PLC) - electric cabinet nor control operator is required

3-POSITION Version
Actuator with 3rd position card, allowing an intermediate stop of the actuator between 0° and 180° (or 0° and 90° or 0° and 270°). Can be used to stop the actuator at 90° in case of a 180° 3-way valve or for any other application requiring a partial closing before full closing.
• Quick and easy setup
• 7 limit switches
• Failure report
• Rotation up to 180° (or 270° on request)

3-POSITION-SAFE Version
All in one actuator, integrating FAILSAFE and 3-position functions

POSI-SAFE Version
All in one actuator, integrating FAILSAFE and positioning functions

ATEX



Marine



VR25	VR45	VR75	VS100	VS150	VS300
Maximum torque 25Nm	Maximum torque 45Nm	Maximum torque 75Nm	Maximum torque 100Nm	Maximum torque 150Nm	Maximum torque 300Nm
90° operating time 7s 400V : 10s	90° operating time 15s 400V : 10s	90° operating time 20s 400V : 15s	90° operating time 15s 400V : 10s	90° operating time 30s 400V : 20s	90° operating time 60s 400V : 35s
Star drive nut 17mm depth 19mm	Star drive nut 17mm depth 19mm	Star drive nut 17mm depth 19mm	Star drive nut 22mm depth 25mm	Star drive nut 22mm depth 25mm	Star drive nut 22mm depth 25mm
ISO 5211 connection F05 F07 depth 15mm 17mm	ISO 5211 connection F05 F07 depth 15mm 17mm	ISO 5211 connection F05 F07 depth 15mm 17mm	ISO 5211 connection F07 F10 depth 19mm 24mm	ISO 5211 connection F07 F10 depth 19mm 24mm	ISO 5211 connection F07 F10 depth 19mm 24mm
Number of limit switches 4	Number of limit switches 4	Number of limit switches 4	Number of limit switches 4	Number of limit switches 4	Number of limit switches 4
Rotation angle 90°	Rotation angle 90°	Rotation angle 90°	Rotation angle 90°	Rotation angle 90°	Rotation angle 90°
Duty cycle 50%	Duty cycle 50%	Duty cycle 50%	Duty cycle 50%	Duty cycle 50%	Duty cycle 50%
Number of starts / hour 150	Number of starts / hour 150	Number of starts / hour 150	Number of starts / hour 150	Number of starts / hour 150	Number of starts / hour 150
Temperature -20°C to +70°C	Temperature -20°C to +70°C	Temperature -20°C to +70°C	Temperature -20°C to +70°C	Temperature -20°C to +70°C	Temperature -20°C to +70°C
IP enclosure IP68	IP enclosure IP68	IP enclosure IP68	IP enclosure IP68	IP enclosure IP68	IP enclosure IP68
Weight 3.1kg to 4.4kg	Weight 3.1kg to 4.4kg	Weight 3.1kg to 4.4kg	Weight 5.1kg to 6.4kg	Weight 5.1kg to 6.4kg	Weight 5.1kg to 6.4kg

- Machinery directive**
2006/42/CE | component for incorporating
- Applications with vibrations (on request)**
Specific electronic cards according to IEC60068-2-6 (2007) and IEC60068-2-27 (2008)
- Explosive atmospheres approval**
94/9/CE directive - II 2 G D - Ex d IIB T6 Gb - Ex tb IIIC T80°C Db - LCIE 06 ATEX 6006 X
- EMC electromagnetic compatibility**
2014/30/UE | EN61000-6-2 (2005) | EN61000-6-4 (2011)
- Low voltage directive**
2006/95/CE | EN61010-1 (2010)
- IP68 housing tested**
CEI60529 (2013) | NF EN 60529 (2014)
- Certified for marine applications**
High durability painting, compliant with the NF EN ISO 12 944-1 standard and 15-year warranty
- North America approval**
CSA C22.2 No. 139-13 - UL 429:2013 • NEMA type 6

