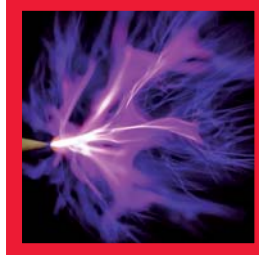




Industry



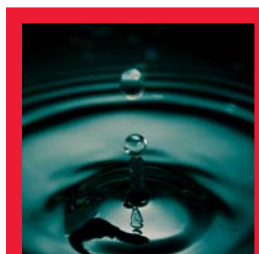
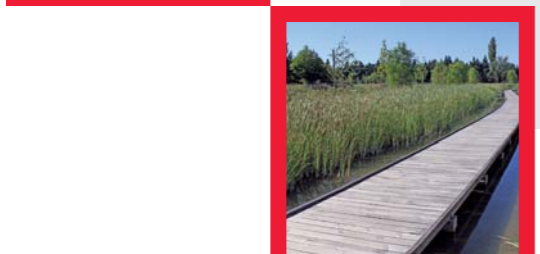
Energy



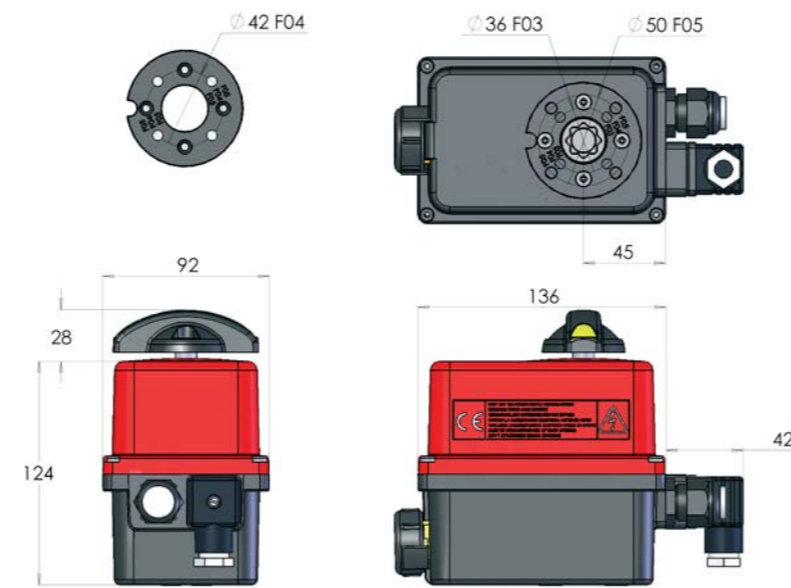
Irrigation



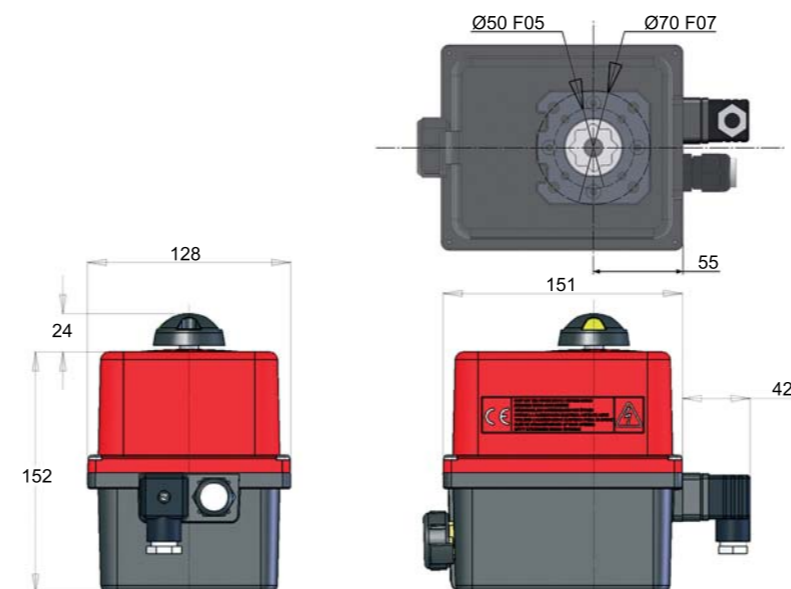
Water treatment



ER20



ER35 • ER60 • ER100



Please refer to our technical literature for any further information. Valpes reserves the right to change or remove products or services from its range at any time and without prior notification or obligation. Valpes disclaims all responsibilities for consequences resulting from the use of this document. There is no guarantee that the information provided here is complete, accurate or up to date.

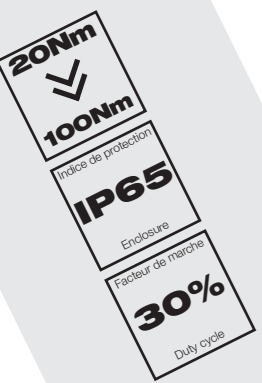


Valpes
Z.I. Centr'alp • 89 rue des étangs • 38430 Moirans France
Tel. +33 (0) 4 76 35 06 06 • Fax +33 (0) 4 76 35 14 34
valpes-info@wattswater.com • www.valpes.com

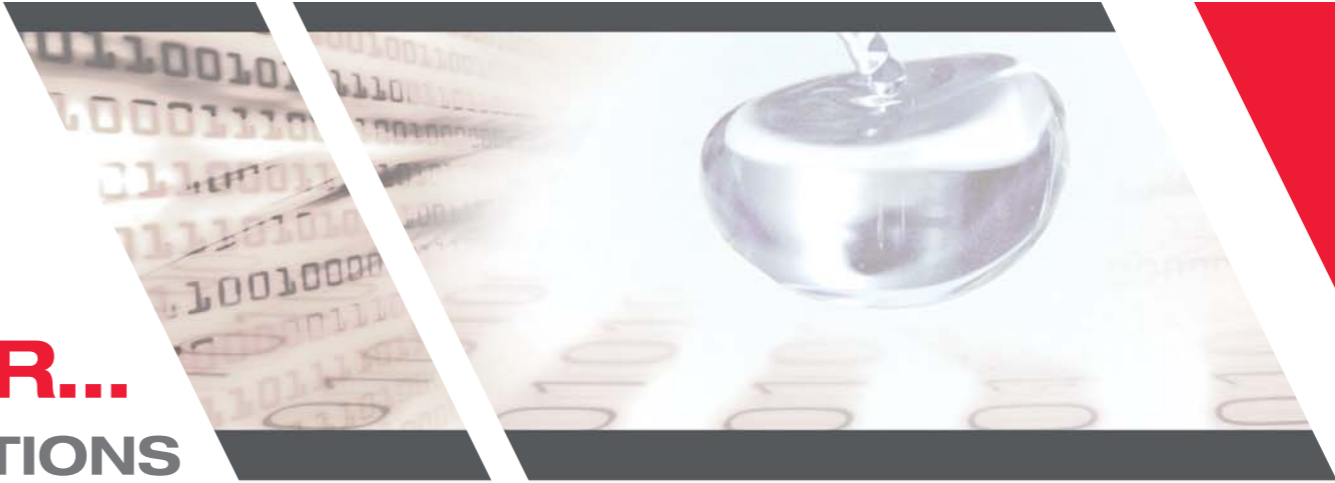
ER PREMIER

Quarter-turn electric actuator





OUR STANDARD ACTUATOR... ...FOR BASIC APPLICATIONS



LIGHT AND COMPACT
Non-flammable PA6 UL 94 V-0 polyamide housing

TORQUES FROM 20 TO 100Nm
20Nm • 35Nm • 60Nm • 100Nm

MULTIVOLTAGE
100V to 240V AC 50/60Hz and 100V to 350V DC
24V AC 50/60Hz / DC

ADJUSTABLE ELECTROMECHANICAL LIMIT SWITCHES
Modulating 3-point control | On-Off

DUTY CYCLE S4-30%
F03-F05 | F04 star 14mm • F05-F07 star 22mm • Stainless steel conversion sleeves

ISO 5211 STANDARDISED PLATE

IP65 | -10°C TO +55°C

SECURED DECLUTCHING SYSTEM
By external shaft

MANUAL OVERRIDE

CE • EAC • RoHS • REACH

WARRANTY
3-year or 50 000 actuations



Compact design with IP65 protection and UL 94 V-0 flammability class housing

Modular position indicator with five removable position markers, adjustable depending on type of valve to be actuated

Different possible rotation angles

- 4 adjustable limit switches (2 for motor control and 2 auxiliary for feedback information)
- Mechanical travel stops at 90° (180° or 270° without mechanical stop)

Secured manual override

Spring-loaded

Removable connection plate

- ISO 5211 connection:
- ER20 = F03/F04/F05 star 14mm
 - ER35-60-100 = F05/F07 star 22mm
 - Stainless steel conversion sleeves (star - square - DD)

ER20

Maximal torque
20Nm

90° operating time
13s

Star drive nut
14mm
depth 16mm

ISO 5211 connection
F03 | F04 | F05
depth 14mm

Number of limit switches
4

Rotation angle
90°

Duty cycle
30%

Number of starts / hour
100

Temperature
-10°C to +55°C

IP enclosure
IP65

Weight
1kg

ER35

Maximal torque
35Nm

90° operating time
8s

Star drive nut
22mm
depth 24mm

ISO 5211 connection
F05 | F07
depth 16mm

Number of limit switches
4

Rotation angle
90°

Duty cycle
30%

Number of starts / hour
100

Temperature
-10°C to +55°C

IP enclosure
IP65

Weight
2.1kg

ER60

Maximal torque
60Nm

90° operating time
15s

Star drive nut
22mm
depth 24mm

ISO 5211 connection
F05 | F07
depth 16mm

Number of limit switches
4

Rotation angle
90°

Duty cycle
30%

Number of starts / hour
100

Temperature
-10°C to +55°C

IP enclosure
IP65

Weight
2.1kg

ER100

Maximal torque
100Nm

90° operating time
25s

Star drive nut
22mm
depth 24mm

ISO 5211 connection
F05 | F07
depth 16mm

Number of limit switches
4

Rotation angle
90°

Duty cycle
30%

Number of starts / hour
100

Temperature
-10°C to +55°C

IP enclosure
IP65

Weight
2.1kg

✓ **Machinery directive**
2006/42/CE | component for incorporating

✓ **Low voltage directive**
2006/95/CE | EN61010-1 (2011)

✓ **EMC electromagnetic compatibility**
2004/108/CE | EN61000-6-2 (2005) | EN61000-6-4 (2011)

✓ **IP65 housing tested**
CEI60529 (2001) | NF EN 60529 (2000)

