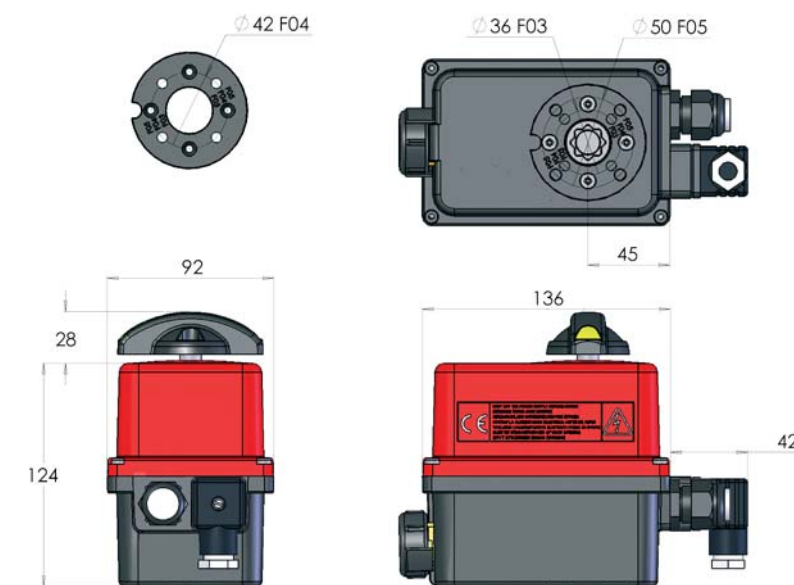
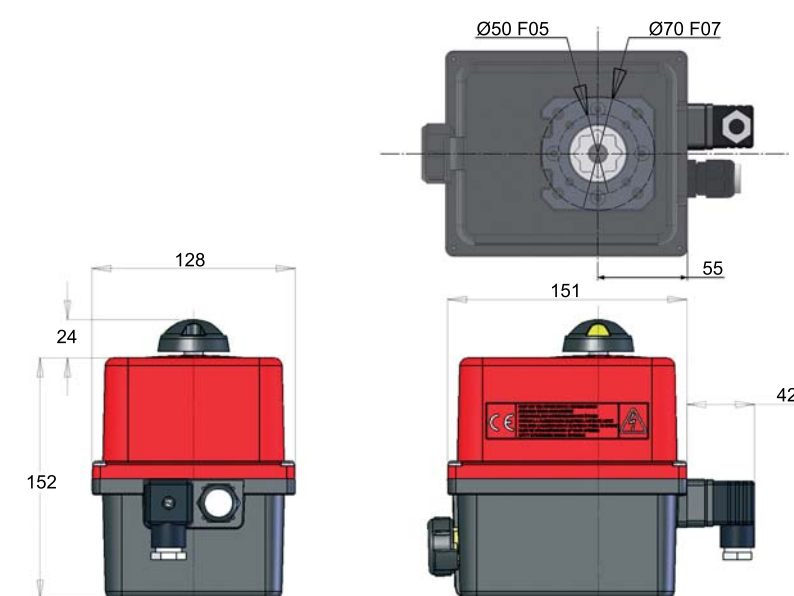




ER10 • ER20 • ER35 (ER35 without handle)



ER35 • ER60 • ER100

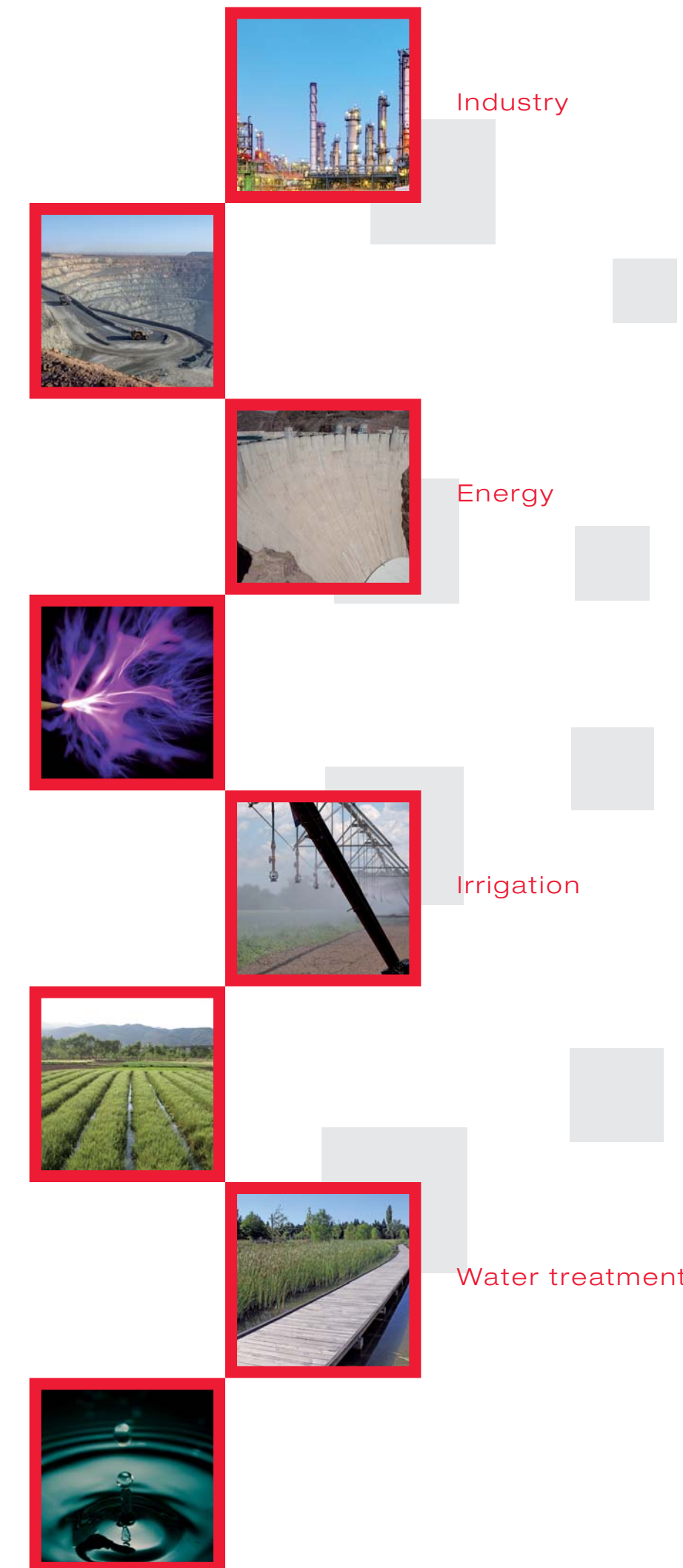


Please refer to our technical literature for any further information.
Valpes reserves the right to change or remove products or services from its range at any time and without prior notification or obligation. Valpes disclaims all responsibilities for consequences resulting from the use of this document. There is no guarantee that the information provided here is complete, accurate or up to date.



ER PLUS

Quarter-turn electric actuator



Industry

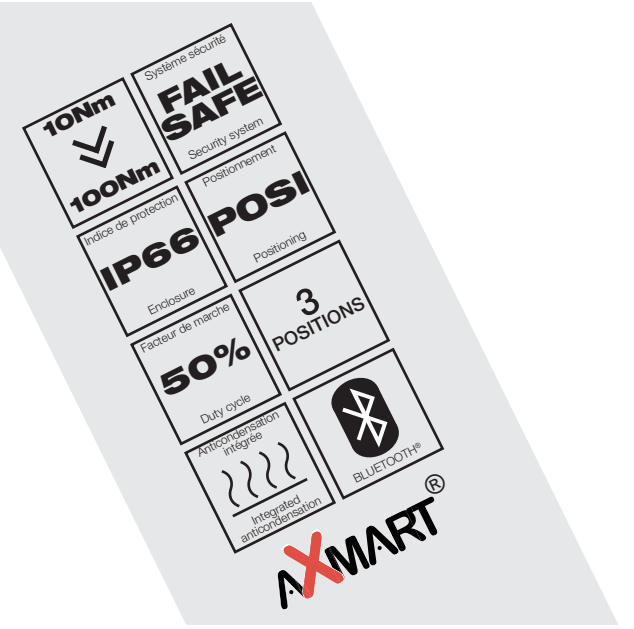
Energy

Irrigation

Water treatment

THE ADVANCED SOLUTION ...

...FOR YOUR INDUSTRIAL APPLICATIONS



LIGHT AND COMPACT
Non-flammable PA6 UL 94 V-0 polyamide housing

TORQUES FROM 10 TO 100Nm

MULTIVOLTAGES
100V to 240V AC 50/60Hz and 100V to 350V DC
15V to 30V AC 50/60Hz and 12V to 48V DC

NUMEROUS CONTROL MODES
Modulating 3-point control | On-Off | Pulse control | Bluetooth[®]

DUTY CYCLE S4-50%

ELECTRONIC TORQUE LIMITER
F03-F05 | F04 star 14mm • F05-F07 star 22mm • Stainless steel conversion sleeves

ISO 5211 STANDARDISED CONNECTION

IP66 | -10°C TO +55°C

RS485 TERMINAL

FAILURE MODE
Actuator status

MANUAL OVERRIDE
External shaft

FAILSAFE
Battery security unit

POSITIONING
4-20mA | 0-10V

3 POSITIONS

POWERED BY AXMART[®]
Bluetooth[®] communication
Local control, setup and weekly scheduler

ANTICONDENSATION HEATER
Self-regulated 10W

CE • RoHS • REACH • CSA • EAC

WARRANTY
3-year warranty or 50 000 actuations



Compact design with IP66 protection and UL 94 V-0 flammability class housing
Modular position indicator with five removable position markers, adjustable depending on type of valve to be actuated

Removable ISO 5211 adaptation plates:

- ER10-20-35 = F03/F04/F05 star 14mm
- ER35-60-100 = F05/F07 star 22mm
- Stainless steel conversion sleeves (star - square - DD)

POSITIONING version
Actuator with advanced and easy positioning solution, allowing the control of a valve with a signal: 0-10V or 4-20mA. For applications like dosing, modulating, flow control, filling up (increases the accuracy in the last stage), mixing...

- Self-configurable (4-20mA / 0-10V)
- Reversible signal (example : 20-4mA)
- Training mode
- Failure report

3-POSITION version
Actuator with 3rd position card, allowing an intermediate stop of the actuator between 0° and 180° (or 0° and 90° or 0° and 270°). Can be used to stop the actuator at 90° in case of a 180° 3-way valve or for any other application requiring a partial closing before full closing.

- Quick and easy setup
- 7 limit switches
- Failure report
- Rotation up to 180° (or 270° on request)

FAILSAFE version
Actuator with integrated FAILSAFE security unit ensuring return to initial position in case of power failure.

- 24/7 battery charge indicator with reporting relay
- Power shut off after 3 minutes time to avoid battery discharging
- 2 initial position settings: "normally open" or "normally closed"

BLUETOOTH[®] version AXMART[®]
The Valpes Bluetooth[®] communication module offers a secured connection with the actuators. It enables the communication with any actuator, whether visible or not and even when concealed (actuators located under floor, in a pit, above ceiling, at height). In all situations, this interface is perfect as a local control device.

- Installation control
- Servicing and validate function tests of the installations with an Android device (smartphone or tablet) and the AXMART[®] application
- Real time actuator status
- Weekly scheduler (up to 20 repeatable tasks).
- Simple and cost effective! Neither programmable logic controller (PLC) - electric cabinet nor control operator is required

Secured declutching system
Spring loaded

Various possible rotation angles

- 4 adjustable limit switches (2 for motor control and 2 auxiliary limit switches for feedback information)
- Mechanical travel stops at 90° (180° or 270° without mechanical stop)

Options

- Card with two extra limit switches (EFC.2)
- Feedback potentiometer (EPR.B)
- 0-10V, 0-20mA or 4-20mA transmitter (EPT.C)
- 1 or 2 ISO M20 / 1/2 NPT adapters (NPT.1 or NPT.2)
- 1 or 2 M12 3P+T connectors (ECM.1 or ECM.2)
- 2nd 3P+T DIN43650 connector (ECD.1A)
- Handle for manual override (ERP)

ER10	ER20	ER35	ER35	ER60	ER100
Maximum torque 10Nm	Maximum torque 20Nm	Maximum torque 35Nm	Maximum torque 35Nm	Maximum torque 60Nm	Maximum torque 100Nm
Operating time 90° 11s	Operating time 90° 12s	Operating time 90° 26s	Operating time 90° 7s	Operating time 90° 12s	Operating time 90° 23s
Star drive nut 14mm depth 16mm	Star drive nut 14mm depth 16mm	Star drive nut 14mm depth 16mm	Star drive nut 22mm depth 24mm	Star drive nut 22mm depth 24mm	Star drive nut 22mm depth 24mm
ISO 5211 connection F03 F04 F05 depth 14mm	ISO 5211 connection F03 F04 F05 depth 14mm	ISO 5211 connection F03 F04 F05 depth 14mm	ISO 5211 connection F05 F07 depth 16mm	ISO 5211 connection F05 F07 depth 16mm	ISO 5211 connection F05 F07 depth 16mm
Limit switches number 4	Limit switches number 4	Limit switches number 4	Limit switches number 4	Limit switches number 4	Limit switches number 4
Rotation angle 90°	Rotation angle 90°	Rotation angle 90°	Rotation angle 90°	Rotation angle 90°	Rotation angle 90°
Duty cycle 50%	Duty cycle 50%	Duty cycle 50%	Duty cycle 50%	Duty cycle 50%	Duty cycle 50%
Number of starts / hour 150	Number of starts / hour 150	Number of starts / hour 150	Number of starts / hour 150	Number of starts / hour 150	Number of starts / hour 150
Temperature -10°C to +55°C	Temperature -10°C to +55°C	Temperature -10°C to +55°C	Temperature -10°C to +55°C	Temperature -10°C to +55°C	Temperature -10°C to +55°C
IP protection IP66	IP protection IP66	IP protection IP66	IP protection IP66	IP protection IP66	IP protection IP66
weight 1kg to 1.2kg	weight 1kg to 1.2kg	weight 1kg to 1.2kg	weight 2.1kg to 2.3kg	weight 2.1kg to 2.3kg	weight 2.1kg to 2.3kg

- ✓ **Machinery directive**
2006/42/CE | component for incorporating
- ✓ **EMC electromagnetic compatibility**
2014/30/UE | EN61000-6-2 (2006) | EN61000-6-4 (2011)
- ✓ **Low voltage directive**
2006/95/CE | EN61010-1 (2011)
- ✓ **IP66 housing tested**
CEI60529 (2001) | NF EN 60529 (2000)
- ✓ **Applications with vibrations (on request)**
Specific electronic boards according to IEC60068-2-6 (2007) and IEC60068-2-27 (2008)
- ✓ **North America approval**
CSA C22.2 No. 139-13 - UL 429:2013 • NEMA type 3