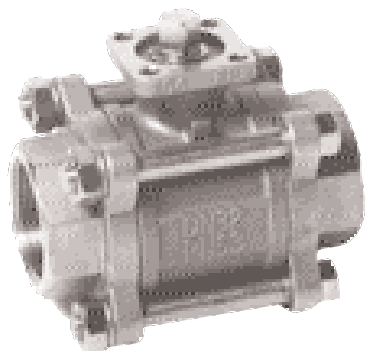


## VANNE A BILLE INOX, 2 VOIES 3 PIECES TARAUDÉE BSP ARBRE NU

### 2 WAY 3 PIECE BSP THREADED STAINLESS STEEL BALL VALVE WITH DIRECT SLEEVE

# STAINLESS STEEL



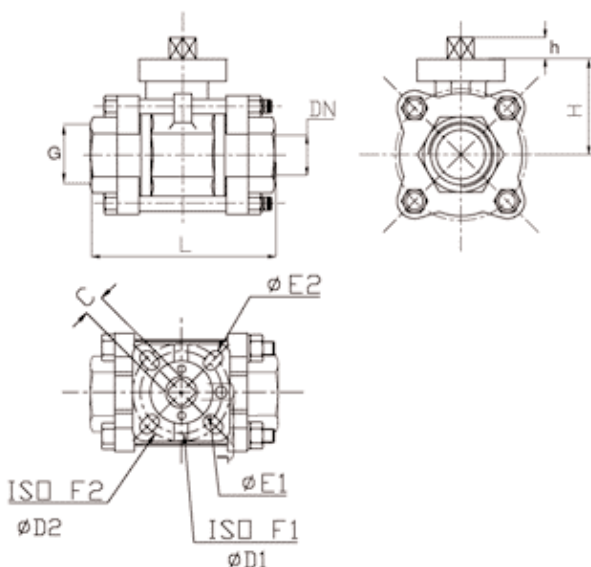
#### DESCRIPTION

Joint d'axe FPM  
Sièges PTFE + 15% FV  
Vanne Inox 316  
Taraudée BSP  
Pression nominale : 63 Bar  
Pression de service : voir  
diagramme pression / température  
Température = -20°C +200°C

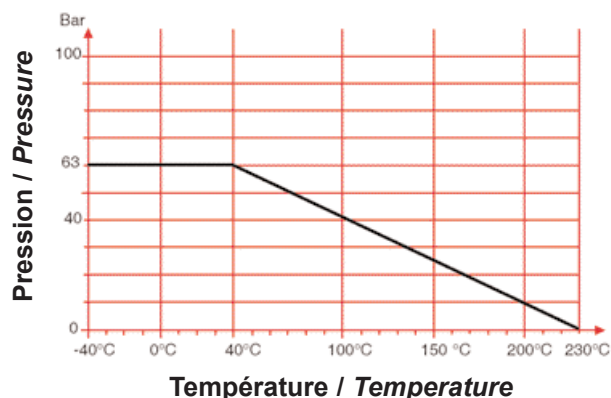
#### DESCRIPTION

FPM shaft "o" ring  
PTFE + 15% GF ball seats  
316 Stainless steel valve  
BSP threaded  
Nominal pressure: 63 Bar  
Working pressure: see pressure /  
temperature diagram  
Temperature = -20°C +200°C

#### MONTAGE DIRECT ISO/DIN DIRECT MOUNTING ISO/DIN



#### PRESSION / TEMPERATURE PRESSURE / TEMPERATURE



Code BSP	G	DN	L	H	h	ISO F1-F2	D1-D2	C	E1-E2	Nm
272.804.511	1/4"	10	60	40	7	F03-F04	36-42	9	6-6	5
272.805.511	3/8"	12	60	40	7	F03-F04	36-42	9	6-6	5
272.806.511	1/2"	16	75	40	7	F03-F04	36-42	9	6-6	7
272.807.511	3/4"	20	80	44	9	F03-F04	36-42	9	6-6	9
272.808.511	1"	25	90	52	12	F04-F05	42-50	11	6-7	13
272.809.511	1 1/4"	32	110	58	12	F04-F05	42-50	11	6-7	20
272.810.511	1 1/2"	40	120	68	16	F05-F07	50-70	14	7-9	28
272.811.511	2"	50	140	77	16	F05-F07	50-70	14	7-9	37
272.812.511	2 1/2"	65	185	98	19	F07-F10	70-102	17	9-11	49
272.813.511	3"	80	205	110	19	F07-F10	70-102	17	9-11	54
272.814.511	4"	100	240	138	24	F10	102	22	11	62